



This tree-friendly pdf works best on screens and not paper.

HOW CAN

30% of a jelly fish's propulsion require zero energy?

An **evolved** dual vortex system, that creates thrust even when the muscles are inactive.



Ecolifting Retrofits

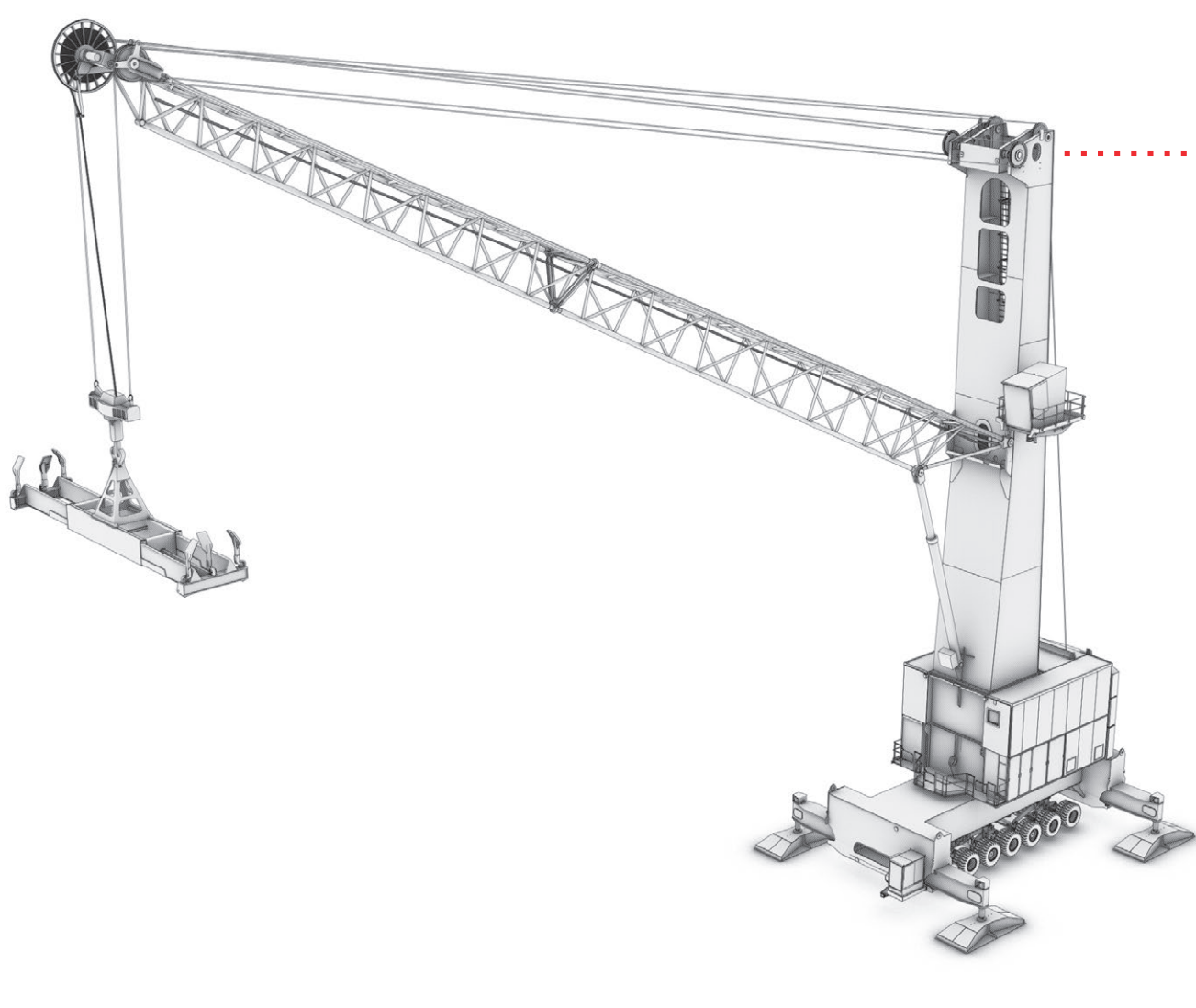
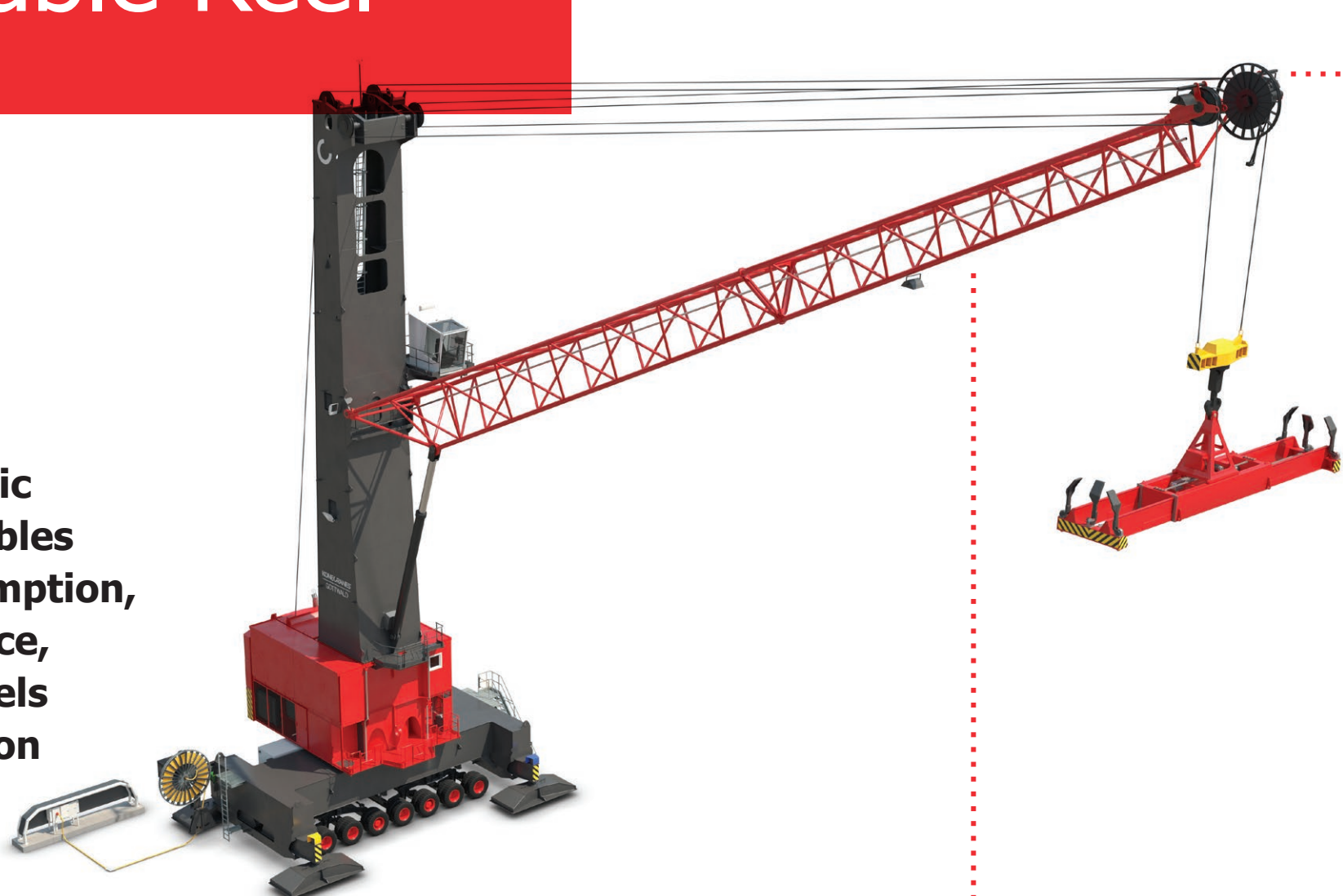
Simple electrical conversions that make crane movement safer, quieter and more efficient.

Power. Evolved.

ECOLIFTING RETROFITS

MHC Cable Reel

This fully electric conversion enables less fuel consumption, less maintenance, lower noise levels and fewer carbon emissions.



EQUIPMENT

This technology can be applied to almost any Konecranes-Gottwald Mobile Harbor Crane.

Available for different levels of grid supply voltage: low voltage (up to 690V) and medium voltage (up to 15kV).

MHC
Mobile Harbour Crane



BENEFITS

- Converts crane to 100% electric supply
- Eliminates need for refuelling and maintenance of diesel engines
- Decreases maintenance services, annual running costs
- Reduced energy, liquid consumption and impact of hazardous materials
- Fewer emissions and less noise

HOW IT WORKS

- Power is fed from the port mains to the crane through a flexible trailing cable that coils on/off a reel body via a motorized cable reel.
- The turn-key solution converts the crane to fully electric operation.
- Preferred main grid voltage is medium voltage (>1000V) but can vary up to 15kV, supporting larger cranes and longer travelling distances.
- For smaller cranes, low voltage (<1000V) options are available.



WHAT YOU NEED TO KNOW

- Installation and commissioning takes on average 3 weeks per crane.
- There are different variants of cable reel power supply retrofit available.
- Customer to provide either low (1000V) or high supplying voltage (up to max 15kV) on a yard junction box with plug connection.
- 380V power supply is not applicable to any crane types.
- A protected storage area for reeling cable is needed, adjacent to storage runway.
- Customer is responsible for all site related civil works, infrastructure works and site related equipment.
- Konecranes will assist in providing the necessary information for our customers to complete these tasks.

SELECTED REFERENCES




Year	Customer/Location	Quantity
2021	BMF / Port Burgas	1
2020	BMF / Port Burgas	1
2019	Eimskip / Iceland	2
2018	Eimskip / Iceland	1
2018	Jindal / Sohar	1
2018	DPW / Antwerp	1

Ports. Evolved.



Konecranes is a world-leading group of Lifting Businesses™, serving a broad range of customers, including manufacturing and process industries, shipyards, ports and terminals. Konecranes provides productivity enhancing lifting solutions as well as services for lifting equipment of all makes. The Group has more than 16,000 employees at 600 locations in 50 countries. Konecranes shares are listed on the Nasdaq Helsinki (symbol: KCR).

© 2021 Konecranes. All rights reserved. 'Konecranes', 'Lifting Businesses' and  are either registered trademarks or trademarks of Konecranes.

This publication is for general informational purposes only. Konecranes reserves the right at any time, without notice, to alter or discontinue the products and/or specifications referenced herein. This publication creates no warranty on the part of Konecranes, express or implied, including but not limited to any implied warranty or merchantability or fitness for a particular purpose.