



This tree-friendly pdf works best on screens and not paper.

## Spare Parts API

Our STORE in your system – free-to-use.

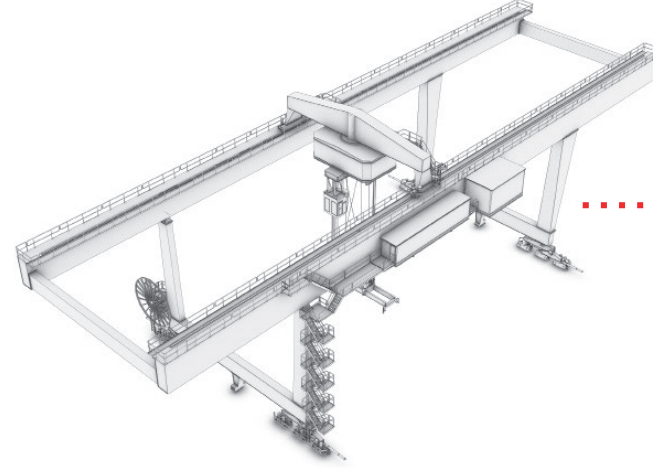
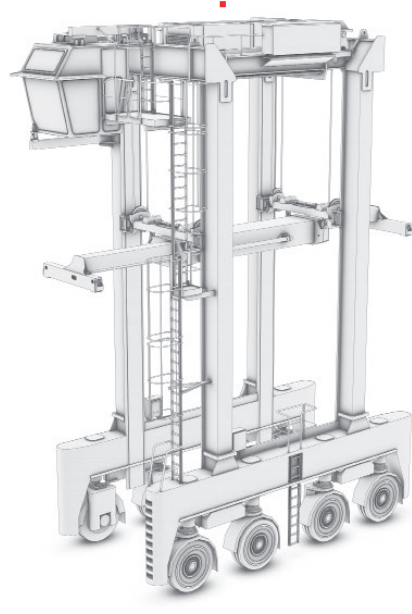
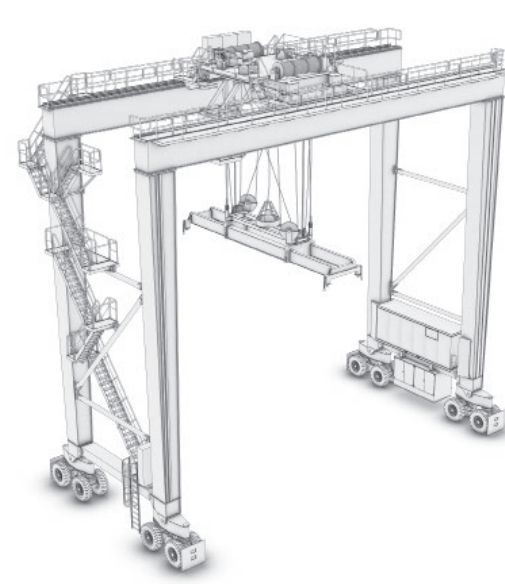


### What is an API?

Application Programmable Interface (API) provides a standard and secure way for different applications to connect and work with each other and deliver the requested information without user intervention.

### AUTOMATE YOUR SPARE PARTS WORKFLOWS

The **Konecranes Spare Parts API** is a part of a suite of Konecranes-developed APIs that make equipment ownership and lifecycle management simpler and smarter. Ordering your spare parts can now become an automated workflow, directly from your company's ERP, or similar system.



As long as you have an account in the STORE, your Spare Parts API will work across all equipment spare parts lists.

**RTG**  
Rubber-Tyred Gantry

**RMG**  
Rail-Mounted Gantry

**STS**  
Ship-to-Shore

**MHC**  
Mobile Harbour Crane

**LT**  
Lift Truck

**SC**  
Straddle Carrier

**AGV**  
Automated Ground Vehicle

**SY**  
Shipyards Cranes

### PROBLEM

- Spare parts or consumables orders are done manually via secondary platform (Konecranes STORE) or via email
- Spare parts availability must be checked manually in the STORE
- Konecranes STORE does not have functionality for automatic, interval-based ordering

### SOLUTION

Tailor our Spare Parts API to suit your needs - from simple STORE-front browsing, to full implementation including an ordering EDI.

### BENEFITS

- **Free-to-use:** There is currently no charge for the use of the API.
- **Seamless Shopping:** Direct from your own system you will be able to browse all spare parts lists, open and download catalogues, add parts to your cart, order and track delivery.
- **Automated Ordering:** You can tailor your API to order spare parts and consumables on a time-interval, so you're never out of stock of the essentials.
- **Flexible:** This back-end system works with any existing front-end (ERP/SAP) system.
- **Reliable:** The very latest spare parts lists, availability, and prices at your fingertips.
- **Cost Savings:** Deploy your procurement functions more efficiently.

### HOW IT WORKS

1. Register for free at the **Konecranes API management platform**.
2. Contact us for support using the Support Form.
3. We will contact you with all relevant technical documents.
4. You can proceed to build the EDI connections.



### CLICK THE LINKS FOR...

- API Developer Platform
- STORE Support
- Spare Parts API Support



### SUPPORT

Further additional support provided by **Konecranes**.



Konecranes is a global leader in material handling solutions, serving a broad range of customers across multiple industries. We consistently set the industry benchmark, from everyday improvements to the breakthroughs at moments that matter most, because we know why, with around 16,600 professionals in over 50 countries, Konecranes is trusted every day to lift, handle and move what the world needs. Konecranes shares are listed on the Nasdaq Helsinki (symbol: KCR)

© 2023 Konecranes. All rights reserved. 'Konecranes', 'Lifting Businesses' and  are either registered trademarks or trademarks of Konecranes.

This publication is for general informational purposes only. Konecranes reserves the right at any time, without notice, to alter or discontinue the products and/or specifications referenced herein. This publication creates no warranty on the part of Konecranes, express or implied, including but not limited to any implied warranty of merchantability or fitness for a particular purpose.