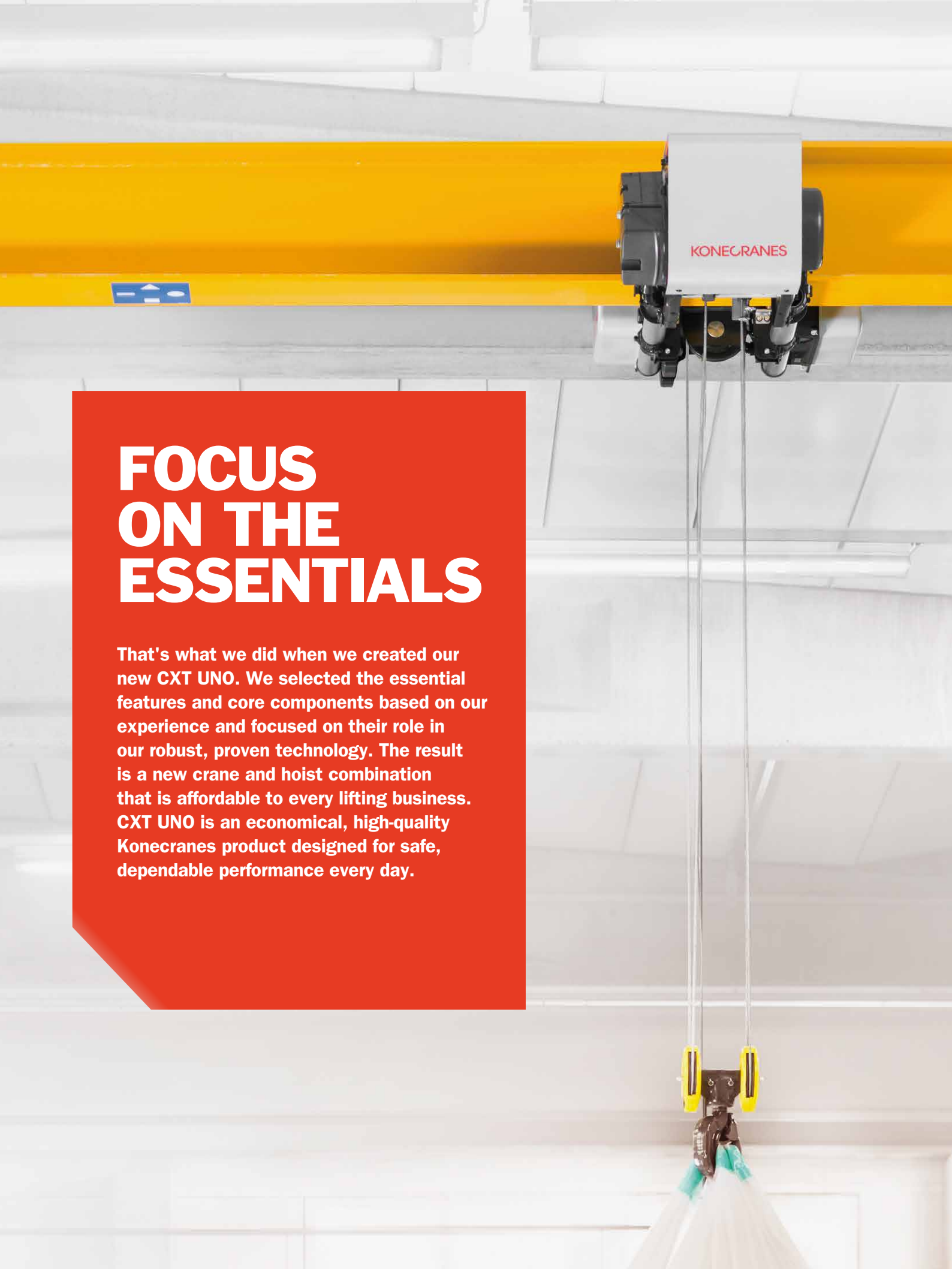


INDUSTRIAL CRANES
NUCLEAR CRANES
PORT CRANES
HEAVY-DUTY LIFT TRUCKS
SERVICE
MACHINE TOOL SERVICE

KONECRANES[®]
Lifting Businesses[™]

CXT UNO **DECADES OF EXPERIENCE** **IN ONE COMPACT PACKAGE**





FOCUS ON THE ESSENTIALS

That's what we did when we created our new CXT UNO. We selected the essential features and core components based on our experience and focused on their role in our robust, proven technology. The result is a new crane and hoist combination that is affordable to every lifting business. CXT UNO is an economical, high-quality Konecranes product designed for safe, dependable performance every day.



KONECRANES

VALUE FOR MONEY

comes from combining only the most essential components with a lighter, optimized steel structure and our standard, high-quality Konecranes CXT hoist.

SMOOTH DELIVERY

process from order to delivery and site operation with a competitive lead time thanks to the standardized package.

EASY MAINTENANCE

through simple design, fast service response and quick spare parts delivery. All this together helps minimize your downtime and keeps your cranes up and running.

A STRAIGHTFORWARD CRANE

built with only the most vital features, that performs well and is easy to use.



SAVE MONEY EVEN IN THE SHORT TERM

The CXT UNO brings the acclaimed Konecranes quality into your everyday work at a very sensible price. This is possible because we listened to our customers' most basic material handling needs. We created a concept of simple construction with an emphasis on basic, well-trying technical and electrical components.

At the center of the CXT UNO is our high-quality CXT hoist and redesigned, optimized Konecranes components. The effective use of these core components enables us to deliver CXT UNO as a competitively priced package.

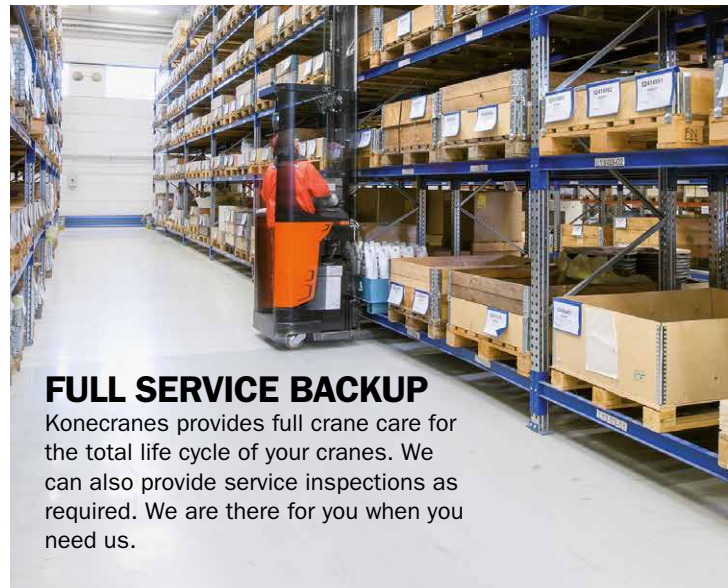
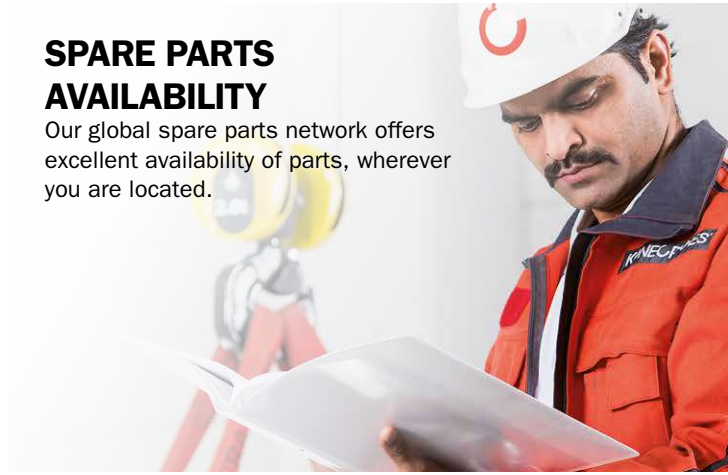
UNCOMPROMISED QUALITY

All our core components, such as gears and motors, are made in-house. They are designed especially for crane use, to work integrally with each other. We keep a strict control over all materials and components, which are supported by global certificates and standards. That signifies quality you can trust.



SPARE PARTS AVAILABILITY

Our global spare parts network offers excellent availability of parts, wherever you are located.



FULL SERVICE BACKUP

Konecranes provides full crane care for the total life cycle of your cranes. We can also provide service inspections as required. We are there for you when you need us.

EASY MAINTENANCE IS A STANDARD FEATURE

The CXT UNO is easy to maintain. It has a clean configuration with easy component access. Simple construction also means there are less breakable parts. Our CXT components are reliable – they are designed for long life.

A SOLID PACKAGE

The decision to purchase a CXT UNO is easy to make. It is sold and delivered as a predesigned package with a well-thought-out selection of functions and options. The turnkey delivery concept saves time by shortening lead times and allowing a simple and fast sales process.

CRANE LAYOUT

optimized use of space and improved accessibility

PROFILE AND BOX GIRDERS

optimized structure for minimum weight and wheel loads

CXT HOIST

world class design and quality

INVERTER CONTROL

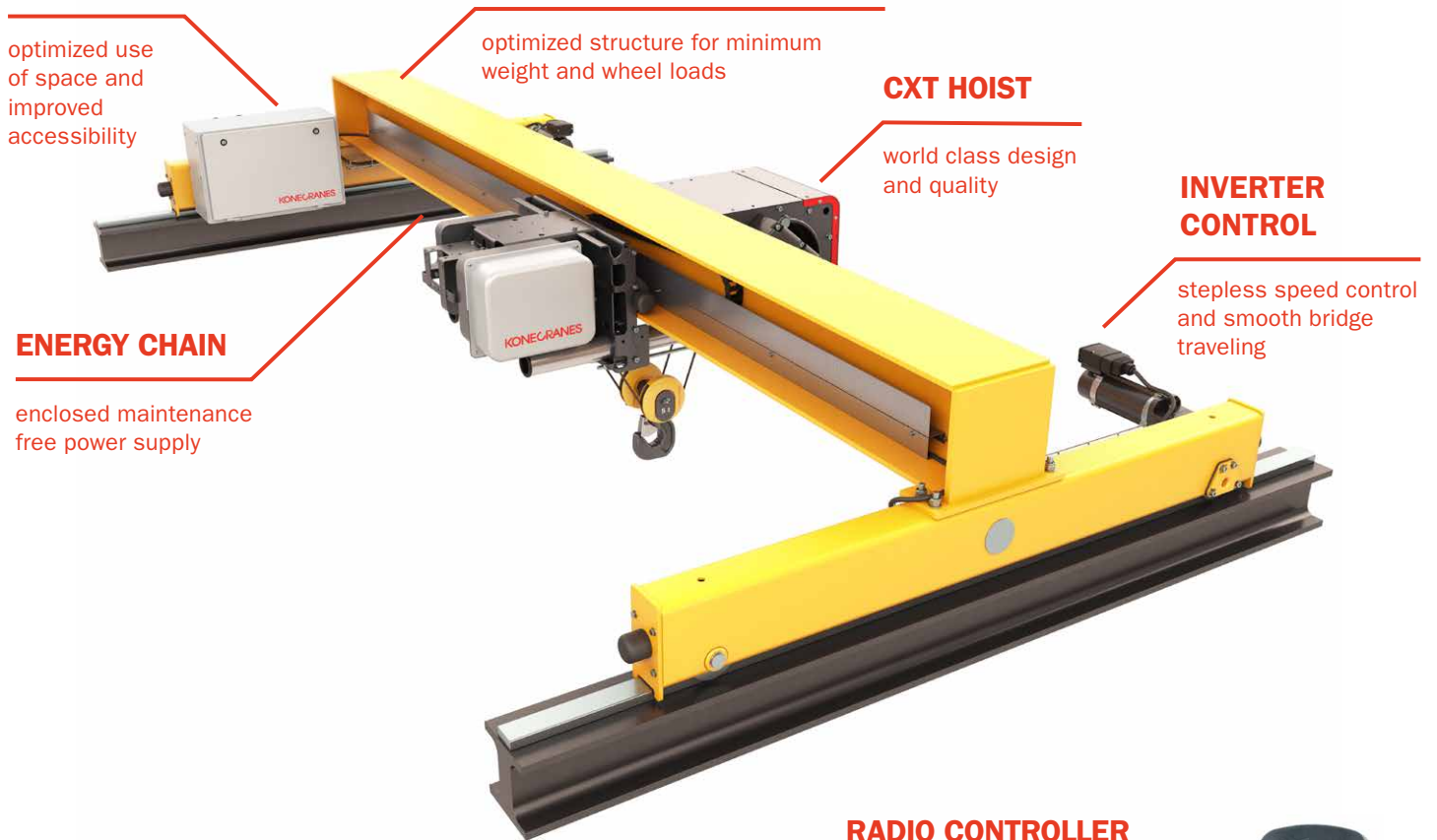
stepless speed control and smooth bridge traveling

ENERGY CHAIN

enclosed maintenance free power supply

RADIO CONTROLLER

high mobility with outstanding ergonomics

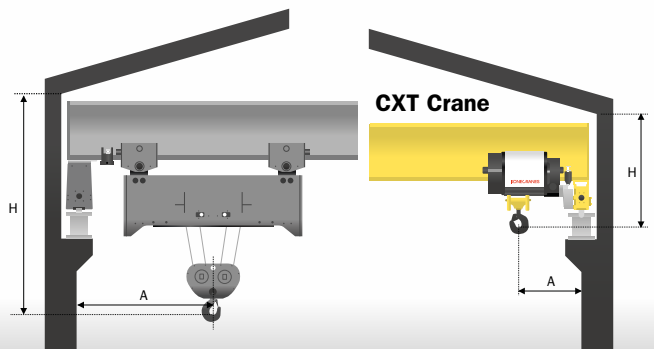




OVER 10,000 CXT HOISTS SOLD EACH YEAR SPEAK FOR ITS EXCEPTIONAL PERFORMANCE

The basis of CXT UNO's steady performance lies in the Konecranes CXT hoist. Its proven technology brings an undeniable level of safety and reliability to your working process. It is one of the most bought hoists, with its excellent design and approach dimensions that allow efficient use of space under the crane.

COMPACT DIMENSIONS



CXT UNO TECH SPECS

Performance

Lifting capacity up to 12.5 tons with three low headroom hoist models:

- CXT3 with capacity up to 3.2 t
- CXT4 with capacity up to 5 t
- CXT5 with capacity up to 12.5 t

Rope reeving 4:1

Height of lift up to 12 m

Spans up to 28 m

Up to FEM 3m / ISO M6

Control system

2-speed contactor use for hoisting and trolley traversing
Inverter controlled bridge traveling

Safety

Thermal protection for all motors (cutoff style bi-metal switch)

Mechanical overload protection

Four-step rotating hoisting limit switch

2-step limit switch for bridge traveling

Speeds

Hoisting speed up to 5/0.8 m/min

Trolley traversing speed 20/5 or 24/6 m/min (for CXT5 only)

Bridge traveling speed 32/8 or 40/10 m/min

Operating system

Radio control with two transmitters

Operating environment

Indoor use

Protection mode IP55

Options

Hook-operated limit switch

Light and horn for overload indication

Collision avoidance device for bridge slow-down

2-step limit switch for trolley traveling

Pendant controller (attached to hoist)

Backup pendant attached to bridge panel

Horn (98 or 108 dB)

Indicator beacon for crane (radio in use)

Anti-jump catches for crane end carriage

Buffer extensions for crane end carriage

Provision for radio control



INDUSTRIAL
CRANES



NUCLEAR
CRANES



PORT
CRANES



HEAVY-DUTY
LIFT TRUCKS




SERVICE

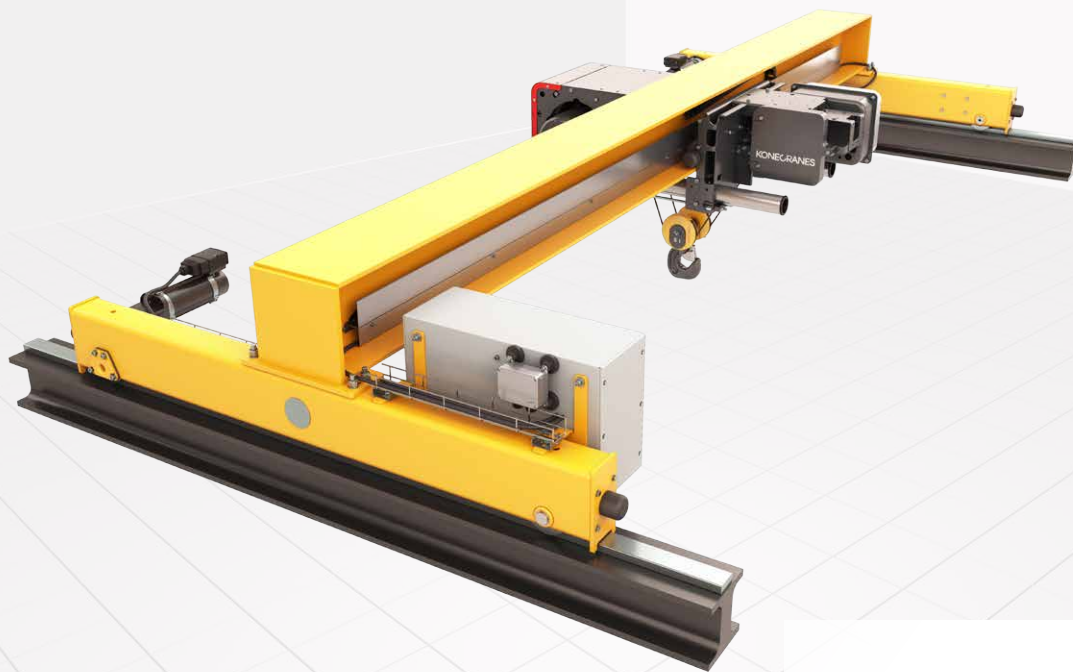


MACHINE
TOOL
SERVICE



Konecranes is a world-leading group of Lifting Businesses™ offering lifting equipment and services that improve productivity in a wide variety of industries. The company is listed on Nasdaq Helsinki Ltd (symbol: KCR1V). With approximately 12,000 employees at 600 locations in nearly 50 countries we have the resources, technology and determination to deliver on the promise of Lifting Businesses™.

© 2015 Konecranes Plc. All rights reserved. 'Konecranes', 'Lifting Businesses', 'CXT', 'CXT UNO' and  are either registered trademarks or trademarks of Konecranes Plc.



**WATCH CXT UNO'S WHOLE
STORY FROM DRAWING
BOARD TO ACTION**

konecranes.com/cxtuno

